

# RAPUNZEL

## AN UNEVEN BARGAIN

We no longer rely on fairy tales for moral or social guidance. Though they still feature in our common culture, the original characters have become more complex. They are no longer cautionary tales but cautionary documents.

We have new guidance. This guidance is legislated, regulated, certified and ratified by governing bodies:

- Corporate Social Responsibility
- ISO Certification
- Government education, regulation and legislation
- Exemplary damages
- Litigation
- Compensation
- Taxation
- Human Rights
- World Health Organisation
- NHS
- Social guidance films and adverts
- Keynesian economic principles

This is a re-balancing of the original fairly tale of Rapunzel based on case studies of our current guidance.

# RAPUNZEL: THE ORIGINAL STORY

A childless couple who wanted a child lived next to a walled garden which belonged to a witch. The wife, at long last pregnant, noticed some lettuce planted in the garden and longed for it to the point of death. For two nights, the husband went out and broke into the witch's garden to gather some for her, but on the third night, as he was scaling the wall to return home the witch appeared and accused him of thievery. He begged for mercy, and the old woman agreed to give him some, on condition that the child his wife was pregnant with be surrendered to her at birth. Desperate, the man agreed. A girl was born and the child was taken away by the witch. She named her Rapunzel.

When Rapunzel reached her twelfth year, the witch shut her away into a tower in the middle of the woods, with neither stairs nor door, and only one room and one window. When the witch went to visit Rapunzel, she stood beneath the tower and called out "Rapunzel, Rapunzel, let down your hair, so that I may climb the golden stair. Rapunzel in the castle park in Ludwigsburg".

Upon hearing these words, Rapunzel would wrap her long, fair hair around a hook that sat beside the window, and drop it down to the witch, who would then climb up the hair to Rapunzel.

One day a prince rode through the forest and heard Rapunzel singing from the tower. Entranced by her ethereal voice, he went to look for the girl and found the tower, but no door leading in, and no stairway leading up. He then returned often, listening to her beautiful singing, and one day saw the witch visit, thus learning how to gain access to Rapunzel. When the witch was gone he bade Rapunzel let her hair down, and he climbed up, made her acquaintance, and finally asked her to marry him. Rapunzel agreed.

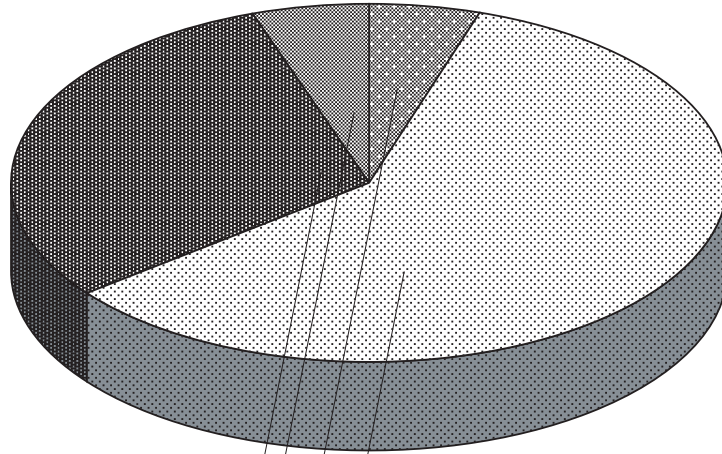
Together they planned a way to get her out of the tower. Before the plan came to fruition however, Rapunzel foolishly gave the prince away. Rapunzel innocently asked why her dress was getting tight around her belly, alerting the witch. In anger the witch cut short Rapunzel's braided hair and cast her out into the wilderness to fend for herself.

When the prince called that night, the witch let the braids down to haul him up. To his horror he found himself staring at the witch instead of Rapunzel. When she told him that he would never see Rapunzel again, he leapt from the tower in despair and was blinded by the thorns below.

For months he wandered through the wastelands of the country and, during this time, Rapunzel gave birth to the prince's twin children. One day, while Rapunzel sang as she fetched water, the prince heard Rapunzel's voice again, and they were reunited. When they fell into each other's arms, her tears immediately restored his sight. The prince led her and their children to his kingdom, where they lived happily ever after.

# RAPUNZEL £370,128

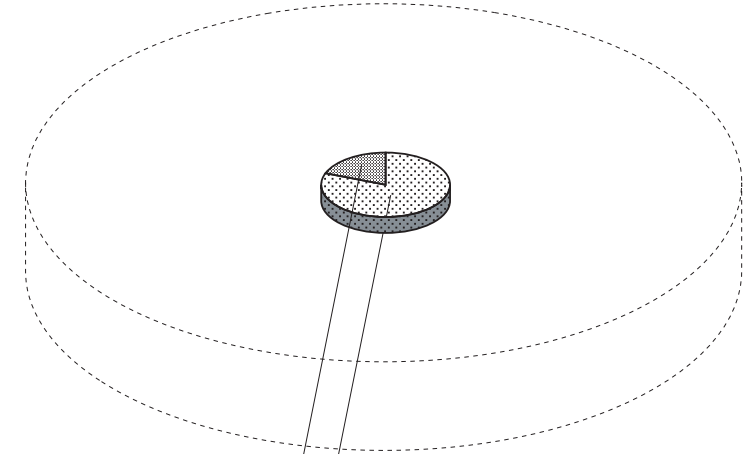
Division of potential remuneration



- Claim to assets, scene of confinement**  
[REF: Natascha Kampusch - claim to deceased house, potential amount of claim = C50% of value, 50% of national average house price = €111128]  
€111,128
- Sale of story to the News of the World**  
[ REF: Natascha Kampusch, potential amount of claim = €20000]  
€20,000
- Injury**  
mental illness and temporary mental anxiety, permanent mental illness confirmed by psychiatric prognosis, moderately disabling  
[REF: CICA band 16, tariff 19000, potential amount of claim = €19000]  
€19,000
- Forced imprisoned childhood**  
[REF: Stolen generation compensation claims, Bruce Trevorrow v. South Australian Government, 2008 potential amount of claim = C€220,000]  
€220,000

# THE PRINCE £67,948

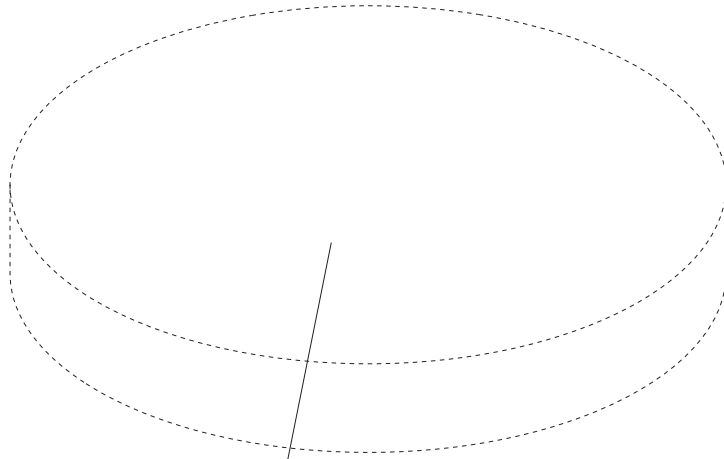
Division of potential remuneration



- Loss of earnings**  
€498/ week - Median earnings of full-time male employees  
[REF: <http://www.statistics.gov.uk/cci/nugget.asp?id=285>]  
€12,948
- Injury**  
Loss of sight, both eyes (temporary)  
[REF: CICA band 23, tariff 110000, potential amount of claim €55,000]  
€55,000

# PARENTS £0

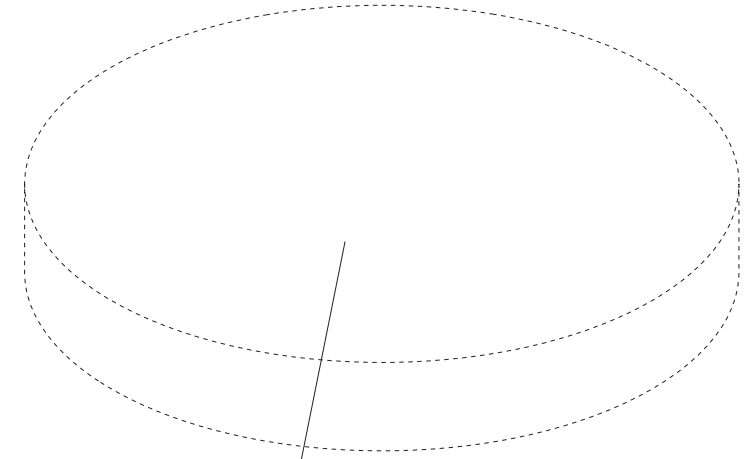
Division of potential remuneration



No remuneration  
assuming no prosecution  
£0

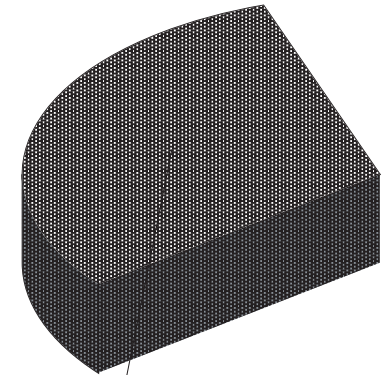
# THE WITCH -£186,128

Division of potential remuneration



No remuneration  
assuming no prosecution  
£0

Damages paid to Rapunzel  
£111,128



- Prosecution for forced imprisonment of a child
- Litigation against by Prince and Rapunzel
- Litigation and compensation court costs

# BALANCE SHEET

## Happily ever after...

At tested market prices

<http://www.tesco.com/todayattesco/pricecheck.shtml>

